

EXPLOSION PROTECTED



EXPLOSION PROTECTION EXPERTS

STAHL

**CLASS I, DIVISION 1 CERTIFIED
PURGED AND PRESSURIZED HMI UNITS**

KEEP EVERYTHING UNDER CONTROL WITH OUR OPERATING AND MONITORING SOLUTIONS



R. STAHL offers you an extensive portfolio of operating and monitoring solutions for explosive areas with products ranging from Thin Clients for virtual networks, KVM systems for point-to-point solutions or complete PC solutions for machine operation.

The products are also particularly suitable for the special demands of the pharmaceutical industry

(e.g. ergonomics, surface quality, cleanroom compliance). Depending on your requirements, choose between various screens and keyboards with operating options such as touchscreen, trackball and joystick. The housings are constructed with thoughtful consideration to clean room applications and provides a superior rugged and corrosion resistant solution for any explosive environment.

For more information
visit rstahl.com



THIN CLIENTS FOR VIRTUAL NETWORKS

R. STAHL's MANTA platform, LED backlight, Thin Client offers first-rate picture quality with displays ranging from 22" to 24" WUXGA displays. Data communication takes place via RDP or VNC and is secured by our REMOTE HMI FIRMWARE. Thin Clients meet all requirements according to GAMP and FDA 21 CFR Part 11 and are internationally certified for Zone 1, 2 / Class I Division 1 & 2.



KVM SYSTEMS FOR POINT-TO-POINT SOLUTIONS

R. STAHL's MANTA platform KVM systems are available as 2" to 24" WUXGA displays. Data communication is performed digitally by the DVI/HDMI/VGA and PC USB ports via the KVM box to the field operating systems. These effortlessly satisfy all requirements for cleanrooms, GMP, GAMP and FDA 21 CFR Part 11. The systems can be used worldwide. Certified for Zone 1, 2 / Class I Division 1 & 2.



PANEL PCS FOR ANY VIZUALISATION SOFTWARE

R. STAHL's MANTA platform Panel PCs are available in 22" to 24" WUXGA displays. They come with 4GB of RAM, and an Intel® ATOM E3845 processor. Available with 64 or 128 GB of memory, these units are ideal for clean room applications, and can be globally certified to Zone 1, 2 / Class I Division 1 & 2.

MOUNTING OPTIONS

Wall Mount

Pedestal Mount

Wall Mount
with Keyboard

Pedestal Mount
with Keyboard

SERIES 400 Panel PCs

Construct ET 4 **A B** - 7 3 0 9 **C D** 0 0 0 2 **E** - E **F G H I J** 0 0 **K**

Example ET 4 **77 SX** - 7 3 0 9 **2 1** 0 0 0 2 **4** - E **1 2 4 2 5** 0 0 **2**

A**Display Size**

56 cm / 22" Display, 1680 x 1050 pixels	67
61 cm / 24" Display, 1920 x 1080 pixels	77
61 cm / 24" WU display, 1920 x 1200 pixels	87

B**Ethernet**

1x 10/100Base-TX Copper Ethernet	TX
1x 1000Base-SX FO Ethernet, Multimode	SX
1x 1000Base-LX FO Ethernet, Single mode	LX

C**Touch Screen**

No touch screen	0
Analogue-resistive polyester touch screen	1
Analogue-resistive glass touch screen	2

D**Power supply**

24 VDC	0
100 - 240 VAC	1

E**Operating system**

Windows 7 Ultimate	3
Windows Embedded Standard 7 (WES 7)	4

CLASS I, DIVISION 1 GROUPS B, C, D

Comes standard with:

4 GB Ram
ATOM E3845 Processor
128 GB SSD MLC Data Memory

F**Material (Enclosure, Pedestal, & Keyboard Enclosure)**

V2A Stainless steel (SS 304) Standard	1
Stainless steel V4A (SS316)	2

G**Mounting option**

Wall mounting (not backdoor)	1
Pedestal Mounted	2

H**Outdoor design**

Outdoor -20 °C	3
Outdoor -30 °C (only for AC devices)	4

I**Keyboard (design, layout) / keyboard enclosure**

No keyboard, no pointing device	0
Keyboard language: US, QWERTY	2
Keyboard language: FR, AZERTY	3
Keyboard language: ES	7

J**Integrated pointing device**

No Keyboard	0
Trackball 50 mm IP54	1
Touchpad	4
Joystick (2 Keys)	5
Mouse module	6

K**Emergency stop switch (not available for Canada)**

No emergency stop switch	0
Emergency stop switch 8003, ESR right	1
Emergency stop switch 8003, ESL left	2

SERIES 500 Thin Clients

Construct ET 5 **A** **B** - 1 **C** 0 **D** **E** **F** 0 0 0 2 **G** - E **H** **I** **J** **K** **L** 0 0 **M**

Example ET 5 **77** **LX** - 1 **2** 0 **3** **2** **1** 0 0 0 2 **7** - E **1** **2** **4** **2** **5** 0 0 **2**

A**Display Size**

56 cm / 22" Display, 1680 x 1050 pixels	67
61 cm / 24" Display, 1920 x 1080 pixels	77
61 cm / 24" WU display, 1920 x 1200 pixels	87

B**Ethernet**

1x 10/100Base-TX Copper Ethernet	TX
1x 1000Base-SX FO Ethernet, Multimode	SX
1x 1000Base-LX FO Ethernet, Single mode	LX

C**RAM**

512 MB for ATOM N270	0
2 GB for ATOM N270 for DeltaV	2

D**Data Memory**

1 GB SSD for ATOM N270 (only avail. with 512 MB Ram)	0
16 GB SSD for ATOM N270 for DeltaV (only avail. with 2GB Ram)	3

E**Touch Screen**

No touch screen	0
Analogue-resistive polyester touch screen	1
Analogue-resistive glass touch screen	2

F**Power supply**

24 VDC	0
100 - 240 VAC	1

G**Operating system**

WES 2009 & Remote Firmware V. 4	7
WES 7 & DRDC for Delta V	H

H**Material (Enclosure, Pedestal, & Keyboard Enclosure)**

V2A Stainless steel (SS 304) Standard	1
Stainless steel V4A (SS316)	2

I**Mounting option**

Wall mounting (not backdoor)	1
Pedestal Mounted	2

J**Outdoor design**

Outdoor -20 °C	3
Outdoor -30 °C (only for AC devices)	4

K**Keyboard (design, layout) / keyboard enclosure**

No keyboard, no pointing device	0
Keyboard language: US, QWERTY	2
Keyboard language: FR, AZERTY	3
Keyboard language: ES	7

L**Integrated pointing device**

No Keyboard	0
Trackball 50 mm IP54	1
Touchpad	4
Joystick (2 Keys)	5
Mouse module	6

M**Emergency stop switch (not available for Canada)**

No emergency stop switch	0
Emergency stop switch 8003, ESR right	1
Emergency stop switch 8003, ESL left	2

CLASS I, DIVISION 1 GROUPS B, C, D

Comes standard with:
N270 Processor

SERIES 600 KVM SYSTEMS

Construct	ET	6	A	DVI3-	B	0	0	0	0	C	D	0	0	0	2	0	-	E	E	F	G	H	I	0	0	J
Example	ET	6	77	DVI3-	MM	0	0	0	0	2	1	0	0	0	2	0	-	E	1	2	4	2	1	0	0	2

A**Display Size**

56 cm / 22" Display, 1680 x 1050 pixels	67
61 cm / 24" Display, 1920 x 1080 pixels	77
61 cm / 24" WU display, 1920 x 1200 pixels	87

B**Transfer-Technology DVI3- Media**

Digital transmission via CAT7	CAT
Digital transmission via FO multimode	MM
Digital transmission via FO single mode	SM

C**Touch Screen**

No touch screen	0
Analogue-resistive polyester touch screen	1
Analogue-resistive glass touch screen	2

D**Power supply**

24 VDC	0
100 - 240 VAC	1

E**Material (Enclosure, Pedestal, & Keyboard Enclosure)**

V2A Stainless steel (SS 304) Standard	1
Stainless steel V4A (SS316)	2

F**Mounting option**

Wall mounting (not backdoor)	1
Pedestal Mounted	2

G**Outdoor design**

Outdoor -20 °C	3
Outdoor -30 °C (only for AC devices)	4

H**Keyboard (design, layout) / keyboard enclosure**

No keyboard, no pointing device	0
Keyboard language: US, QWERTY	2
Keyboard language: FR, AZERTY	3
Keyboard language: ES	7

I**Integrated pointing device**

No Keyboard	0
Trackball 50 mm IP54	1
Touchpad	4
Joystick (2 Keys)	5
Mouse module	6

J**Emergency stop switch (not available for Canada)**

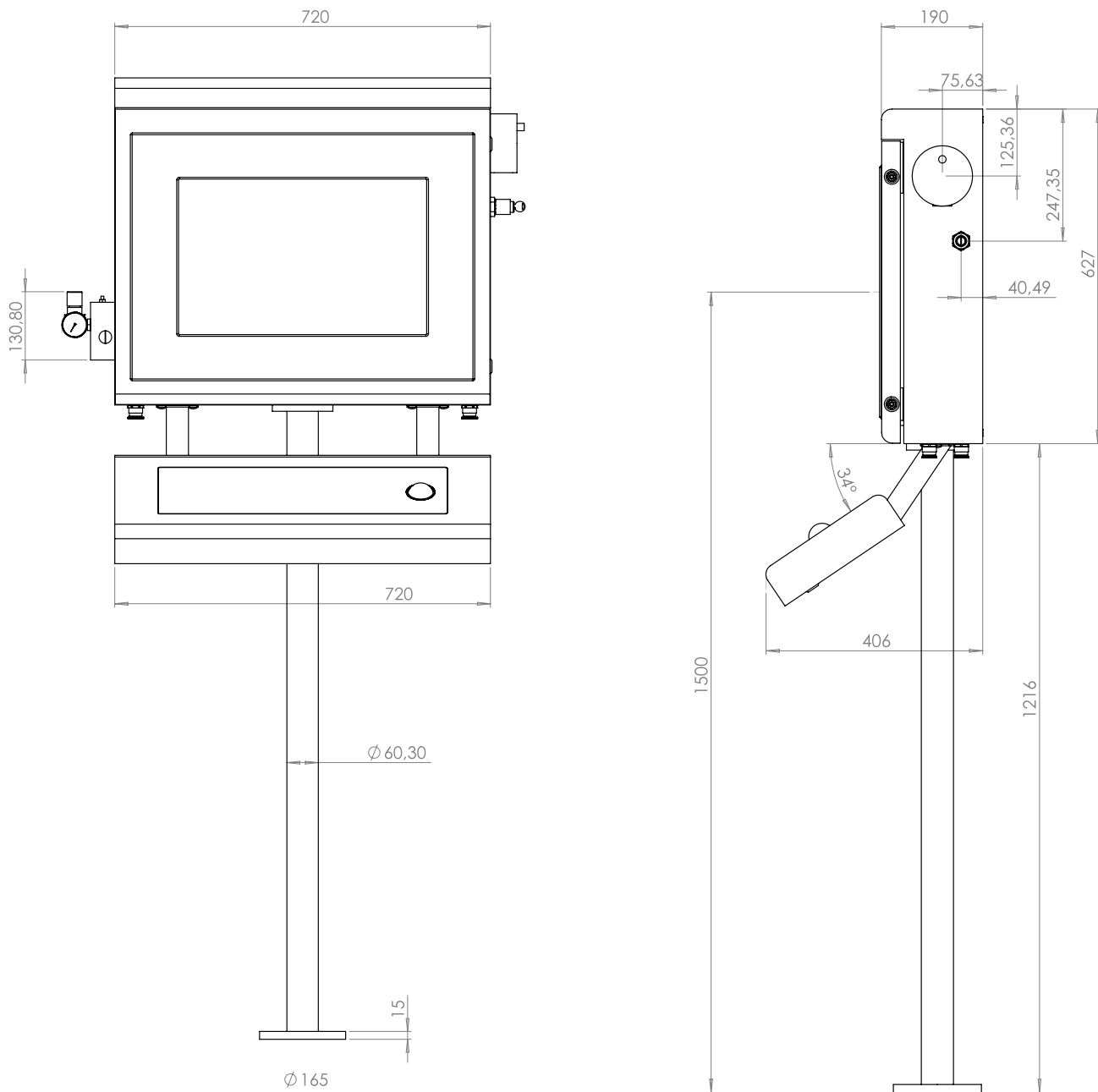
No emergency stop switch	0
Emergency stop switch 8003, ESR right	1
Emergency stop switch 8003, ESL left	2

CLASS I, DIVISION 1 GROUPS B, C, D

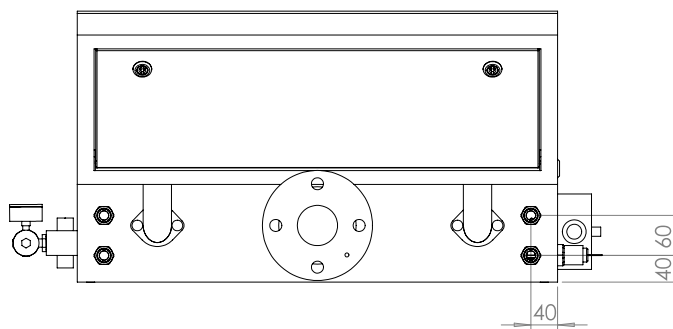
Comes standard with:

DVI/USB connections**Note: Additional KVM-DVI3 BOX required**

DIMENSIONS



ENTRIES VIEW



NOTE: INSTALLATION SHOULD BE IN ACCORDANCE WITH ARTICLE 501/504 OF THE NATIONAL ELECTRICAL CODE, ANSI/NFPA 70 AND WITH THE CANADIAN ELECTRICAL CODE, PART I.

LOOK FOR OUR OTHER DIV 1 INTERFACE SOLUTIONS

IS1+ CLASS I DIVISION 1
REMOTE I/O



FOR MORE INFORMATION

CONTACT YOUR STAHL
REPRESENTATIVE

**NO NEED
FOR PURGE OR EXPLOSION PROOF**

CONTACT US:
sales@rstahl.com

13259 N. Promenade Blvd.
Stafford, TX 77477
U.S.A
800.782.4357

7003-56 Ave.
Edmonton, Alberta
Canada T6B-3L2
877.416.4302

www.rstahl.com